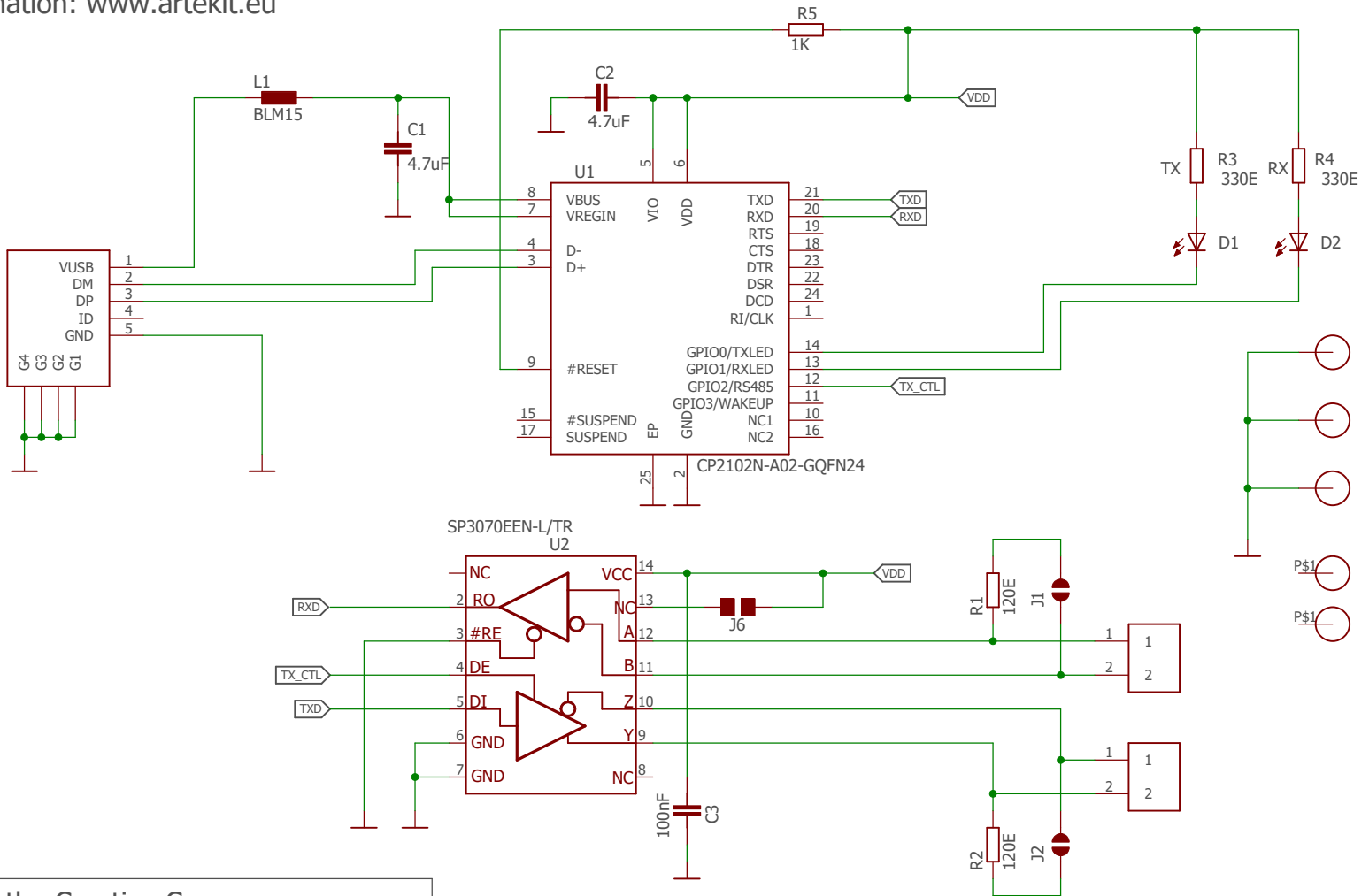


# AK-USB-RS485-FD -USB to RS485 Bridge

SCHEMATIC DIAGRAM REV 1.0

For more information: [www.artekit.eu](http://www.artekit.eu)



Released under the Creative Commons Attribution Share-Alike 3.0 License  
<http://creativecommons.org/licenses/by-sa/3.0>

This board was designed and produced in Italy



Design by	Ruben H. Meleca	<b>ARTEKIT</b>
Revision by	Ivan Meleca	AK-USB-RS485-FD-S_V1.0
Design data	08/05/2022	Revision:
Release data	09/12/2022	Sheet: 1/1