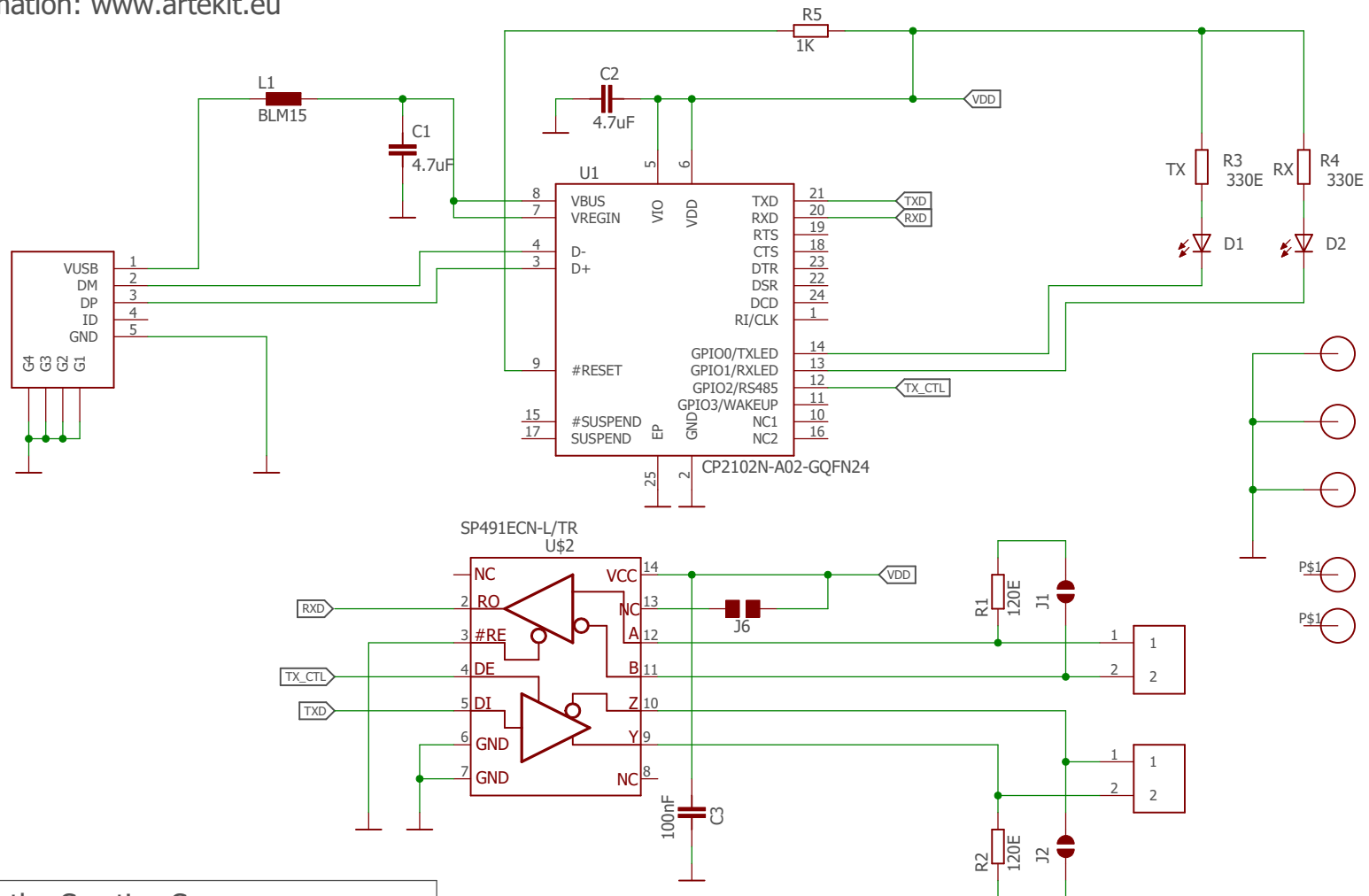


# AK-USB-RS485-FD -USB to RS485 Bridge

SCHEMATIC DIAGRAM REV 1.0

For more information: [www.artekit.eu](http://www.artekit.eu)



Released under the Creative Commons Attribution Share-Alike 3.0 License  
<http://creativecommons.org/licenses/by-sa/3.0>

This board was designed and produced in Italy



|              |                 |                        |
|--------------|-----------------|------------------------|
| Design by    | Ruben H. Meleca | <b>ARTEKIT</b>         |
| Revision by  | Ivan Meleca     | AK-USB-RS485-FD-S_V1.0 |
| Design data  | 08/05/2022      | Revision:              |
| Release data | 09/12/2022      | Sheet: 1/1             |